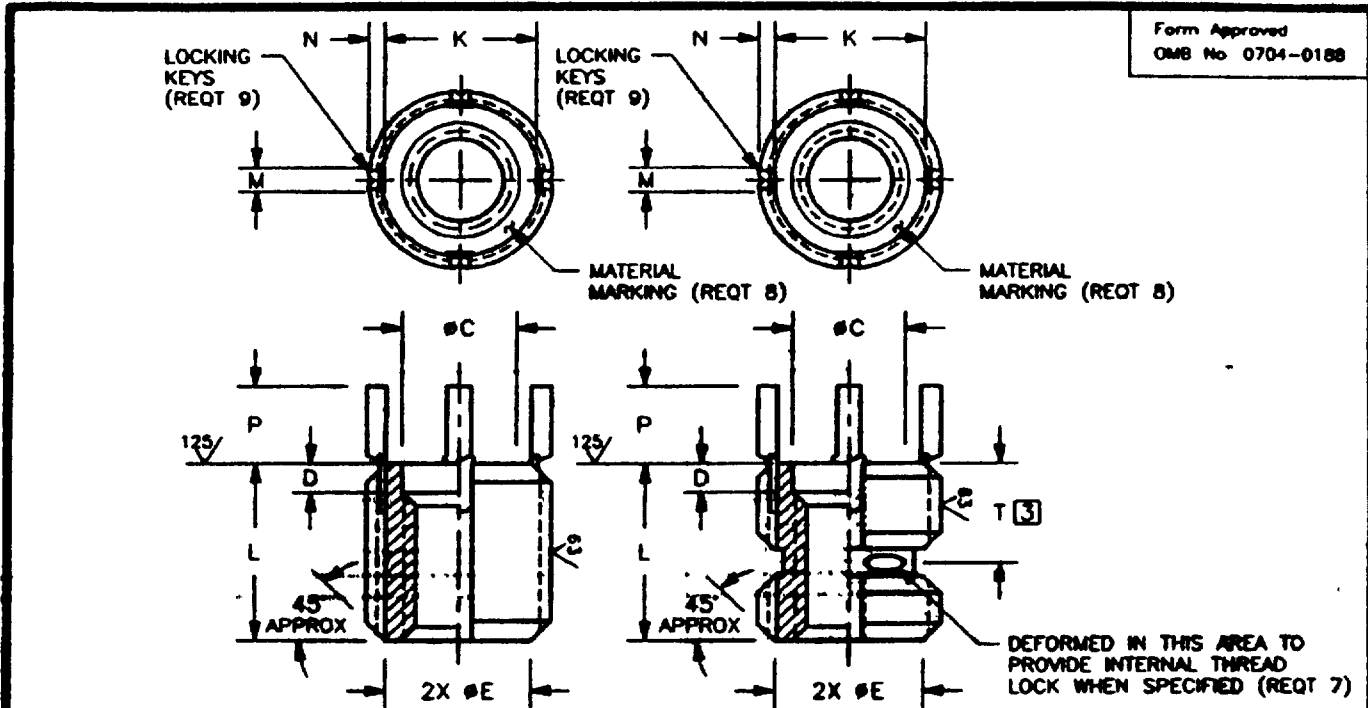


THE REQUIREMENTS FOR ACQUIRING THE PRODUCT(S) DESCRIBED HEREIN SHALL CONSIST OF THIS SPECIFICATION SHEET AND THE ISSUE OF THE FOLLOWING SPECIFICATION LISTED IN THAT ISSUE OF THE DOSSIS SPECIFIED IN THE SOLUTION MIL-1-45914

THIS SPECIFICATION IS APPROVED FOR USE BY ALL DEPARTMENTS AND AGENCIES OF THE DEPARTMENT OF DEFENSE



Form Approved  
OMB No 0704-0188

TABLE I COARSE INTERNAL THREADS

DASH NO	INTERNAL THREAD MIL-S-8679 UNJC-3B	EXTERNAL THREAD FED-STD-H2B/2 EXCEPT MODIFIED MINOR DIA.		øC	D	øE	K	L	KEY DIMENSIONS			T
		SIZE	øMINOR						M REF	N REF	P REF	
101	.190-24	.375-16UNC-2A	.320 .312	.196	.070	.310	.284	.312	.068	.040	.130	.220
102	.250-20	.4375-14UNC-2A	.383 .375	.257	.070	.375	.344	.375	.068	.040	.190	.220
103	.3125-18	.500-13UNC-2A	.440 .432	.316	.070	.430	.407	.437	.068	.040	.190	.220
104	.375-16	.5625-12UNC-2A	.503 .495	.380	.070	.495	.469	.500	.068	.040	.190	.250
105	.4375-14	.625-11UNC-2A	.585 .551	.445	.100	.550	.532	.625	.068	.040	.190	.280
106	.500-13	.6875-11NS-2A	.625 .615	.507	.100	.615	.595	.688	.068	.040	.190	.280
107	.5625-12	.8125-16UN-2A	.752 .744	.580	.100	.745	.720	.812	.068	.040	.190	.320
108	.625-11	.875-14UNF-2A	.815 .807	.640	.100	.805	.782	.875	.068	.040	.190	.330
109	.750-10	1.125-12UNF-2A	1.050 1.040	.763	.100	1.040	.975	1.125	.103	.070	.250	---
109L	.750-10	1.125-12UNF-2A	1.050 1.040	.763	.100	1.040	.975	1.250	.103	.070	.250	.490
110	.875-9	1.250-12UNF-2A	1.175 1.165	.888	.100	1.165	1.100	1.250	.103	.070	.250	---
110L	.875-9	1.250-12UNF-2A	1.175 1.165	.888	.100	1.165	1.100	1.375	.103	.070	.250	.490
111	1.000-8	1.375-12UNF-2A	1.300 1.290	1.015	.100	1.290	1.225	1.375	.103	.070	.250	---
111L	1.000-8	1.375-12UNF-2A	1.300 1.290	1.015	.100	1.290	1.225	1.500	.103	.070	.250	.550

(F) ENTIRE STANDARD REVISED

INCH-POUND

PREPARING ACTIVITY: ARMY-AR CUSTODIANS: ARMY- AR NAVY- AS AIR FORCE- 99 DIA- REVIEW: AV, SH, 82, IS, NS USER: AT, GL, MC PROJECT NUMBER: 5340-2052	MILITARY SPECIFICATION SHEET TITLE INSERT, SCREW-THREAD, LOCKED IN, KEY-LOCKED, HEAVY DUTY	SPECIFICATION SHEET NUMBER <b>MS51831F</b> 9 MAR 92 SUPERSEDING MS51831E 6 SEPT 85 AMSC- N/A FSC- 5340
DISTRIBUTION STATEMENT Δ Approved for public release, distribution is unlimited		Page <u>1</u> of <u>3</u>

Form Approved  
OMB No 0704-01

THE REQUIREMENTS FOR ACQUIRING THE PRODUCT(S) DESCRIBED HEREIN SHALL CONSIST OF THIS SPECIFICATION SHEET AND THE ISSUE OF THE FOLLOWING SPECIFICATION LISTED IN THAT ISSUE OF THE DODDS SPECIFIED IN THE SOLICITATION. MIL-I-45914

THIS SPECIFICATION IS APPROVED FOR USE BY ALL DEPARTMENTS AND AGENCIES OF THE DEPARTMENT OF DEFENSE.

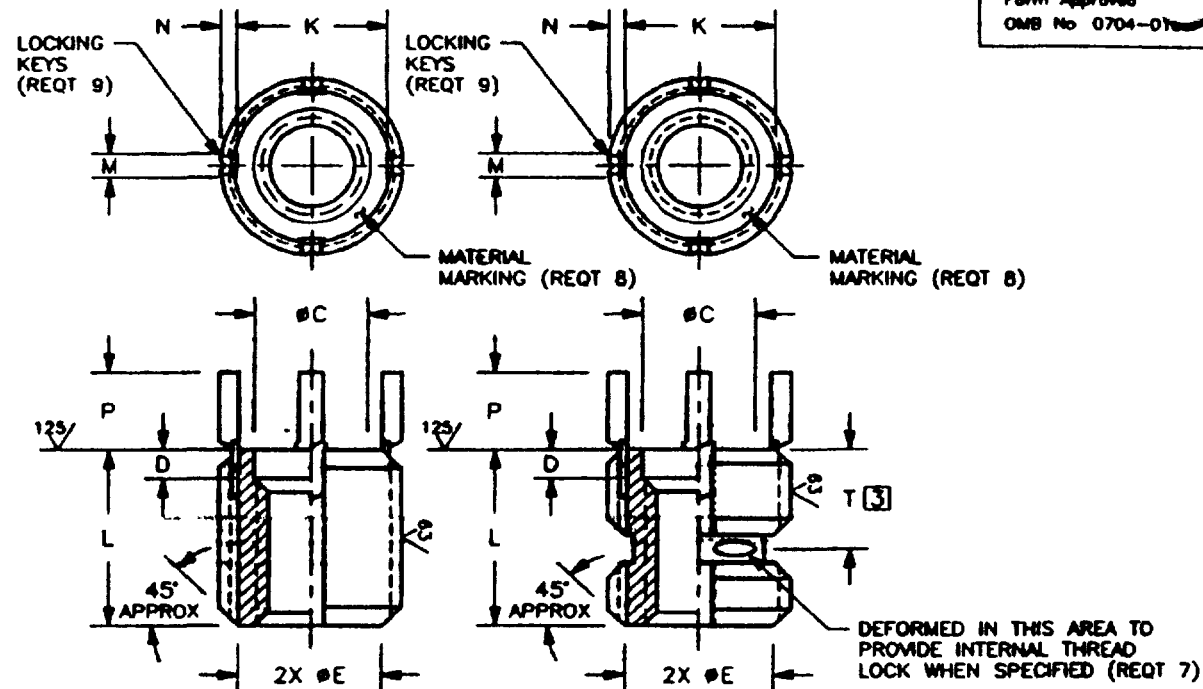


TABLE II FINE INTERNAL THREADS

DASH NO.	INTERNAL THREAD MIL-S-8879 UNJF-3B	EXTERNAL THREAD FED-STD-H2B/2 EXCEPT MODIFIED MINOR DIA.		øC	D	øE	K	L	KEY DIMENSIONS			T
		SIZE	øMINOR						M REF	N REF	P REF	
201	.190-32	.375-16UNC-2A	.320 .312	.196	.070	.310	.284	.312	.068	.040	.130	.220
202	.250-28	.4375-14UNC-2A	.383 .375	.257	.070	.375	.344	.375	.068	.040	.190	.220
203	.3125-24	.500-13UNC-2A	.440 .432	.316	.070	.430	.407	.437	.068	.040	.190	.220
204	.375-24	.5625-12UNC-2A	.503 .495	.380	.070	.495	.469	.500	.068	.040	.190	.250
205	.4375-20	.625-11UNC-2A	.565 .551	.445	.100	.550	.532	.625	.068	.040	.190	.280
206	.500-20	.6875-11NS-2A	.625 .615	.507	.100	.615	.595	.688	.068	.040	.190	.280
207	.5625-18	.8125-16UN-2A	.752 .744	.580	.100	.745	.720	.812	.068	.040	.190	.320
208	.625-18	.875-14UNF-2A	.815 .807	.640	.100	.805	.782	.875	.068	.040	.190	.330
209	.750-16	1.125-12UNF-2A	1.050 1.040	.763	.100	1.040	.975	1.125	.103	.070	.250	---
209L	.750-16	1.125-12UNF-2A	1.050 1.040	.763	.100	1.040	.975	1.250	.103	.070	.250	.490
210	.875-14	1.250-12UNF-2A	1.175 1.165	.888	.100	1.165	1.100	1.250	.103	.070	.250	---
210L	.875-14	1.250-12UNF-2A	1.175 1.165	.888	.100	1.165	1.100	1.375	.103	.070	.250	.490
211	1.000-12	1.375-12UNF-2A	1.300 1.290	1.015	.100	1.290	1.225	1.375	.103	.070	.250	---
211L	1.000-12	1.375-12UNF-2A	1.300 1.290	1.015	.100	1.290	1.225	1.500	.103	.070	.250	.550

PREPARING ACTIVITY: ARMY-AR CUSTODIANS: ARMY- AR NAVY- AS AIR FORCE- 99 OLA- REVIEW: AV, SH, 82, IS, NS USER: AT, GL, MC PROJECT NUMBER: 5340-2052	MILITARY SPECIFICATION SHEET TITLE INSERT, SCREW-THREAD, LOCKED IN, KEY-LOCKED, HEAVY DUTY	SPECIFICATION SHEET NUMBER <b>MS51831F</b> 9 MAR 92 SUPERSEDING MS51831E 6 SEPT 85 AMSC- N/A FBC- 5340
DISTRIBUTION STATEMENT A Approved for public release, distribution is unlimited		Page 2 of 3

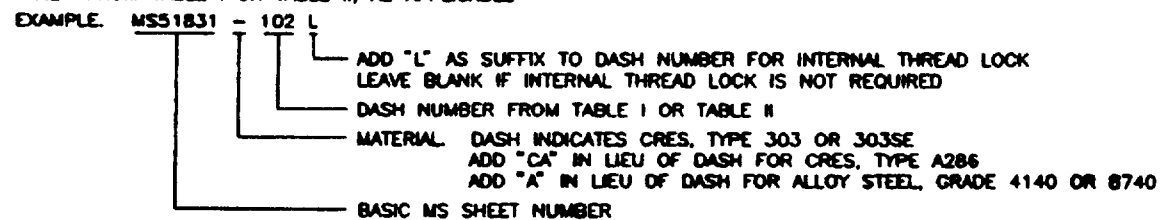
THE REQUIREMENTS FOR ACQUIRING THE PRODUCT(S) DESCRIBED HEREIN SHALL CONSIST OF THIS SPECIFICATION SHEET AND THE ISSUE OF THE FOLLOWING SPECIFICATION LISTED IN THAT ISSUE OF THE DOOISS SPECIFIED IN THE SOLICITATION: MIL-I-45914

THIS SPECIFICATION IS APPROVED FOR USE BY ALL DEPARTMENTS AND AGENCIES OF THE DEPARTMENT OF DEFENSE.

Form Approved  
OMB No 0704-0188

**REQUIREMENTS**

1. **MATERIAL.** STEEL, CORROSION-RESISTANT, TYPE 303 (UNS S30300) IN ACCORDANCE WITH AMS 5640 (TYPE 1) OR ASTM A 582, OR 303SE (UNS S30323) IN ACCORDANCE WITH AMS 5640 (TYPE 2), AMS 5738 OR ASTM A 582  
STEEL, CORROSION-RESISTANT, TYPE A286 (UNS S66286) IN ACCORDANCE WITH AMS 5734 OR AMS 5737  
STEEL, ALLOY, GRADE 4140 (UNS G41400) IN ACCORDANCE WITH MIL-S-5626 OR GRADE 8740 (UNS G87400) IN ACCORDANCE WITH AMS 6322  
LOCKING KEYS STEEL, CORROSION-RESISTANT, TYPE 302 CHEMICAL COMPOSITION OF ASTM A 580 ONLY
2. **CADMIUM PLATING AND SURFACE TREATMENT.** CORROSION-RESISTANT STEEL SHALL BE PASSIVATED IN ACCORDANCE WITH QQ-P-35  
ALLOY STEEL SHALL BE CADMIUM PLATED IN ACCORDANCE WITH QQ-P-418, TYPE II, CLASS 3 THE LOCKING KEYS MAY OR MAY NOT BE CADMIUM PLATED
3. **LUBRICATION.** INSERTS WITH SELF-LOCKING INTERNAL THREADS SHALL BE DRY FILM LUBRICATED IN ACCORDANCE WITH MIL-L-46010, TYPE I. THE LOCKING KEYS MAY OR MAY NOT BE LUBRICATED
4. **SURFACE TEXTURE.** MACHINED SURFACES SHALL BE IN ACCORDANCE WITH ANSI/ASME B48 1
5. **HEAT TREATMENT.** ALLOY STEEL INSERTS SHALL BE HEAT TREATED TO 160,000 psi FtU MINIMUM IN ACCORDANCE WITH MIL-H-6875  
CORROSION-RESISTANT STEEL INSERTS, TYPE A286 (AMS 5734), SHALL BE HEAT TREATED TO 140,000 psi FtU MINIMUM
6. **HARDNESS.** ALLOY STEEL INSERTS SHALL HAVE A HARDNESS RANGE OF 36-40 HRC  
CORROSION-RESISTANT STEEL INSERTS, TYPE A286, SHALL HAVE A HARDNESS RANGE OF 29-38 HRC.
7. **PART NUMBER.** THE PART NUMBER SHALL CONSIST OF THE BASIC MS SHEET NUMBER PLUS THE DASH NUMBER TAKEN FROM TABLE I OR TABLE II, AS APPLICABLE



EXAMPLE. MS51831CA102L INDICATES - INSERT, SCREW-THREAD, LOCKED IN, KEY-LOCKED, HEAVY DUTY, CRES A286, .250-20UNJC-38 INTERNAL THREAD WITH INTERNAL THREAD LOCK FEATURE

8. **MATERIAL MARKING.** CRES 303 OR 303SE HAS NO IDENTIFYING MARK.  
CRES A286 SHALL BE IDENTIFIED ON TOP OF INSERT BY ONE (1) LINE OR DASH MARK.  
ALLOY STEEL 4140 OR 8740 SHALL BE IDENTIFIED ON TOP OF INSERT BY TWO (2) PARALLEL LINES OR DASH MARKS
9. INSERTS WITH INTERNAL THREAD SIZE 250 AND SMALLER SHALL BE SUPPLIED WITH TWO (2) LOCKING KEYS SPACED 180° APART  
INSERTS WITH INTERNAL THREAD SIZE 3125 AND GREATER SHALL BE SUPPLIED WITH FOUR (4) LOCKING KEYS SPACED 90° APART
10. INSERTS SHALL BE FREE OF ALL HANGING BURRS AND SLIVERS WHICH MIGHT BECOME DISLODGED UNDER USAGE
11. **SOURCE IDENTIFICATION MARK.** SOURCE IDENTIFICATION MARK SHALL BE IN ACCORDANCE WITH MIL-I-45814
12. ALL DIMENSIONS ARE AFTER CADMIUM PLATING OR SURFACE TREATMENT AND PRIOR TO THE ADDITION OF THE LUBRICATION
13. FILLETS ARE R.015 MAXIMUM.

**NOTES**

1. ALL DIMENSIONS ARE IN INCHES
2. INSTALLATION OF INSERTS SHALL BE IN ACCORDANCE WITH MS51835
3. DISTANCE TO CENTER OF INTERNAL THREAD LOCK.
4. IN THE EVENT OF A CONFLICT BETWEEN THE TEXT OF THIS STANDARD AND THE REFERENCES CITED HEREIN, THE TEXT OF THIS STANDARD SHALL TAKE PRECEDENCE.
5. REFERENCED GOVERNMENT (OR NON-GOVERNMENT) DOCUMENTS OF THE ISSUE LISTED IN THAT ISSUE OF THE DEPARTMENT OF DEFENSE INDEX OF SPECIFICATIONS AND STANDARDS (DOOISS) SPECIFIED IN THE SOLICITATION FORM A PART OF THIS STANDARD TO THE EXTENT SPECIFIED HEREIN.

PREPARING ACTIVITY: ARMY-AR	MILITARY SPECIFICATION SHEET	SPECIFICATION SHEET NUMBER
CUSTODIANS: ARMY- AR NAVY- AS	TITLE	MS51831F 9 MAR 92
AIR FORCE- 99 DLA-	INSERT, SCREW-THREAD,	SUPERSEDING
REVIEW AV, SH, 82, IS, NS	LOCKED IN, KEY-LOCKED,	MS51831E 6 SEPT 85
USER AT, GL, MC	HEAVY DUTY	AMSC- N/A FSC- 5340
PROJECT NUMBER 5340-2052		